



## LuK Service Info



# Error message: Clutch slipping

## Possible causes

Manufacturer: Mercedes Benz

Model: Actros

Transmission: MP4

LuK part no.: 640 3080 09 / 33  
643 3397 09 / 33  
643 3406 09 / 33  
643 3404 09 / 33

See parts catalogue for current assignment

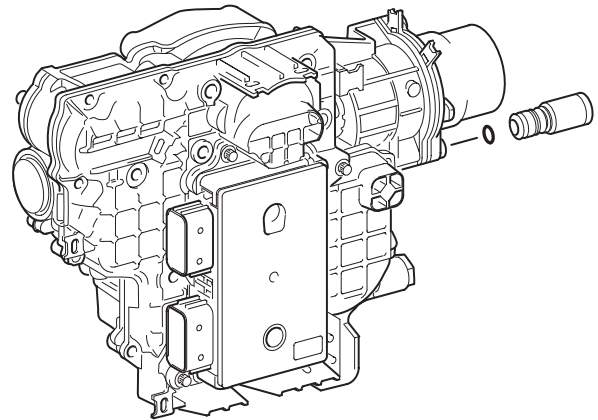


Image 1: The breather valve must be removed when the clutch actuator is installed

After working on the transmission or the splitter group (in conjunction with removing and installing a clutch), the error message „clutch slipping“ may occur, even though there is no clutch fault. In our experience, several problems can generate this error message and it is essential to investigate these problems.

- The connecting line of the clutch actuator has not been properly secured in the clutch bell housing and has been worn through by the flywheel during operation
- The breather valve (image 1) was not removed when the clutch actuator was installed. The lack of ventilation has damaged the clutch actuator during installation of the transmission
- When installing the clutch actuator, the seal (image 2) was destroyed
- Moisture has penetrated the electrical connection between the clutch actuator and the control unit (e.g. due to use of a high-pressure cleaner)

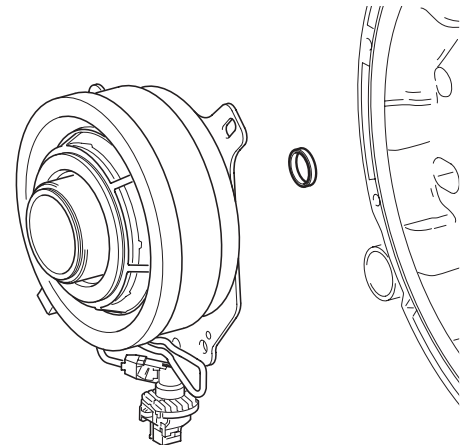


Image 2: When installing the clutch actuator, be careful not to destroy the seal

Please observe the vehicle manufacturer specifications!

**You want more? We can help!**

Phone: +44 (0) 1432 264 264

Fax: +44 (0) 1432 375 760

aftermarket.uk@schaeffler.com

www.repxpert.co.uk